

Xeiling+

spanplafonds en decoratieve wanden



EDGE-LIT LEDS

EDGE-LIT SOLUTION

Lightbox SSL- (6 x 90°) Rigid Bar

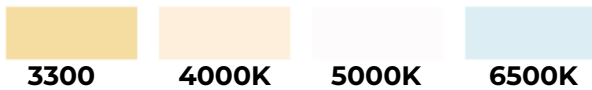
Benefits

- High lumen CREE LED
- Low voltage 24 VDC system
- Quick connectors in wago or AMPR plug
- Aluminium PCB
- Customized length available
- IP60 tested

Application

8 - 15cm one side signage lighting box

Color Available



Dimensions SSL-BS-20-3-24V



Dimensions SSL-BS-34-5-24V



Dimensions SSL-BS-42-6-24V



Unit: mm [in]

Thickness	Light box Width	Qty/m2	Illuminated
8cm	100cm	4pcs	891 - 1689lux
10cm	100cm	4pcs	466 - 842lux
15cm	100cm	4pcs	461 - 783lux

Part No.	Input Vol.	Power/pc.	Lumen/pc.	Led Type	CRI	Led Qty/pc	Dimension (LxWxH)
SSL-BS-20-3-24V	24VDC	7,92W	610lm	SMD 2835	>70	3pcs	219 x 25 x 14,8mm
SSL-BS-34-5-24V	24VDC	13,2W	1020lm	SMD 2835	>70	5pcs	365 x 25 x 14,8mm
SSL-BS-42-6-24V	24VDC	15,02W	1200lm	SMD 2835	>70	6pcs	438 x 25 x 14,8mm



EDGE-LIT SOLUTION

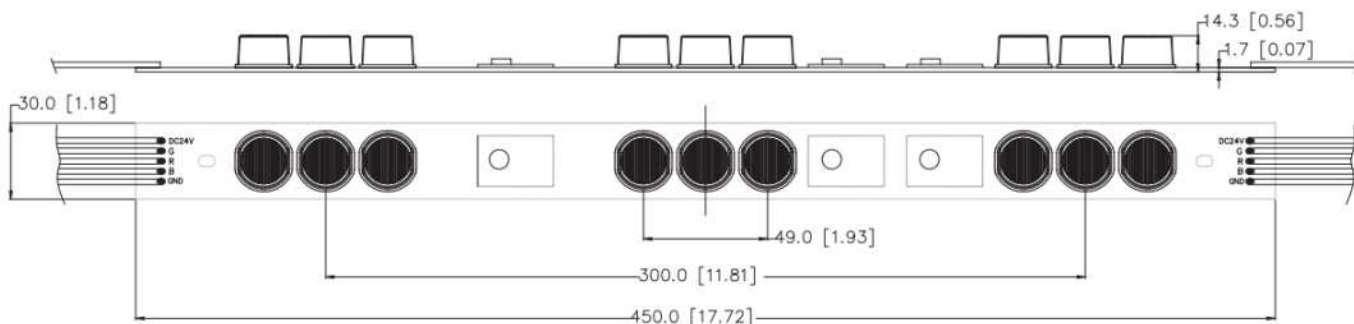
SSL-RGB (15 x 60°) Rigid Bar

Benefits

- Controlable RGB engineering designed
- Low voltage-constant current 24VDC system
- Quick connectors in Wago or AMPR plug
- Aluminium PCB
- Customized length available
- IP60 tested

Application

- 12 - 15cm one side signage lighting box
- 20-30cm double sided signage lighting box



Part No.	Input Vol.	Power/pc.	Led Type	CRI	Led Qty/pc	Dimension (LxWxH)	Price/pc
SSL-B-45-9-24V-RGB	24VDC	19W	SMD 2525	>80	9pcs	300 x 26 x 15mm	35,32 €

BACK-LIT LEDS

BACK-LIT SOLUTION

SBL-1

Benefits

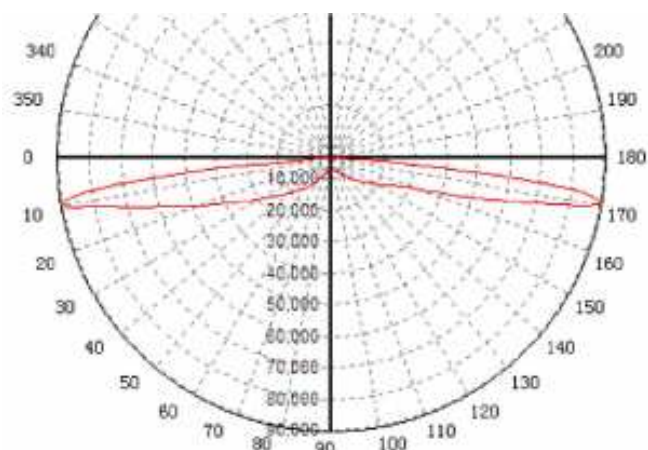
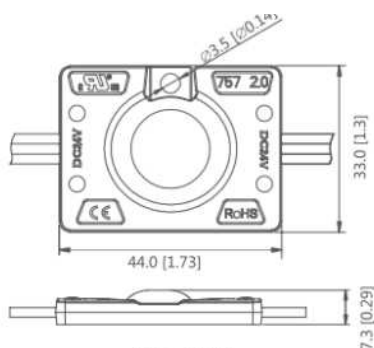
- Nichia small size in high lumen LED up to 135lm/pc
- Low voltage-constant current 12 - 24VDC system
- Wide viewing angle and helps eliminate wasted light
- Over molded design protects components from damage
- Pre-drilled holes and industrial-grade mounting tape
- Aluminium PCB with excellent heat dissipation
- Every 3 LED cuttable
- 5years warranty, more 50.000hrs lifespan
- IP60 tested



Application

5 - 10cm one side signage lighting box

Color Available



Part No.	Input Vol.	Power/pc.	Lumen/pc.	Led Type	CRI	Max Qty/string	Dimension (LxWxH)
SBL-1PE	12VDC	1,2W	95lm	SMD 3030	>80	20pcs	44 x 33 x 7,3mm
SBL-1P	24VDC	1,5W	135lm	SMD 3030	>80	12pcs	44 x 33 x 7,3mm

BACK-LIT SOLUTION

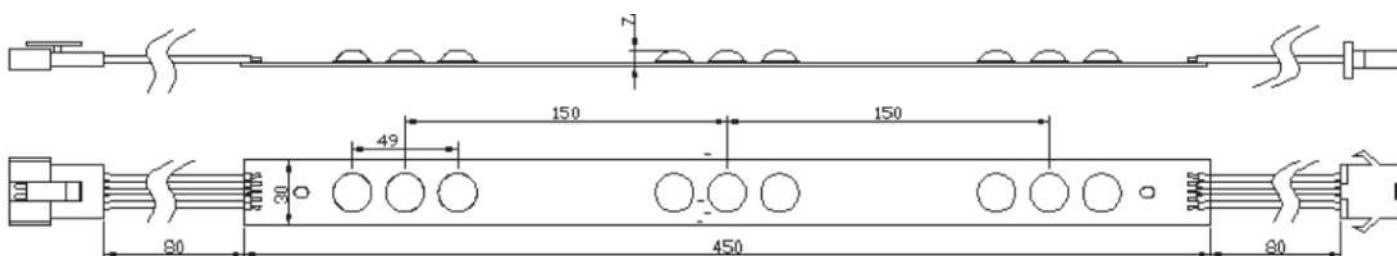
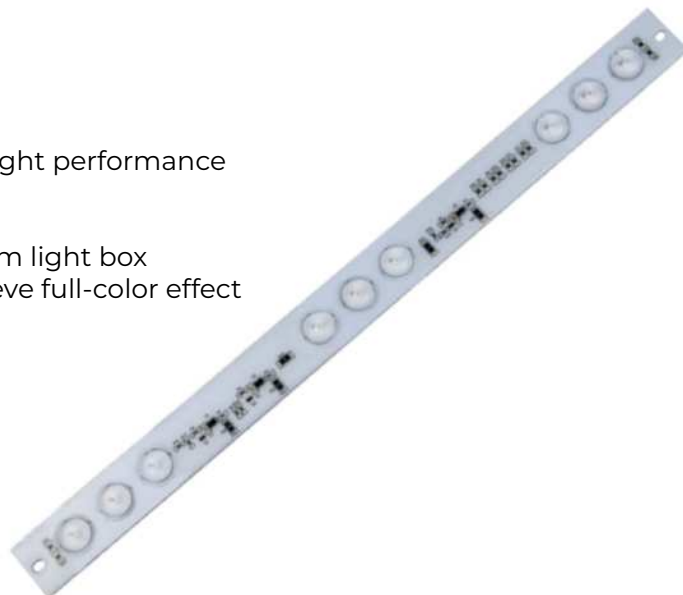
SBL-P-RGB Rigid Bar

Benefits

- Osram single color LED, color mixing well, excellent light performance and stability
- Low voltage-constant current 24VDC system
- Beam angle 170°, excellent light effect, suitable for slim light box
- Can be connected with external controller, and achieve full-color effect
- Quick connectors in Wago or AMPR plug
- Aluminium PCB with adhesive tape
- Customized length available
- IP60 tested

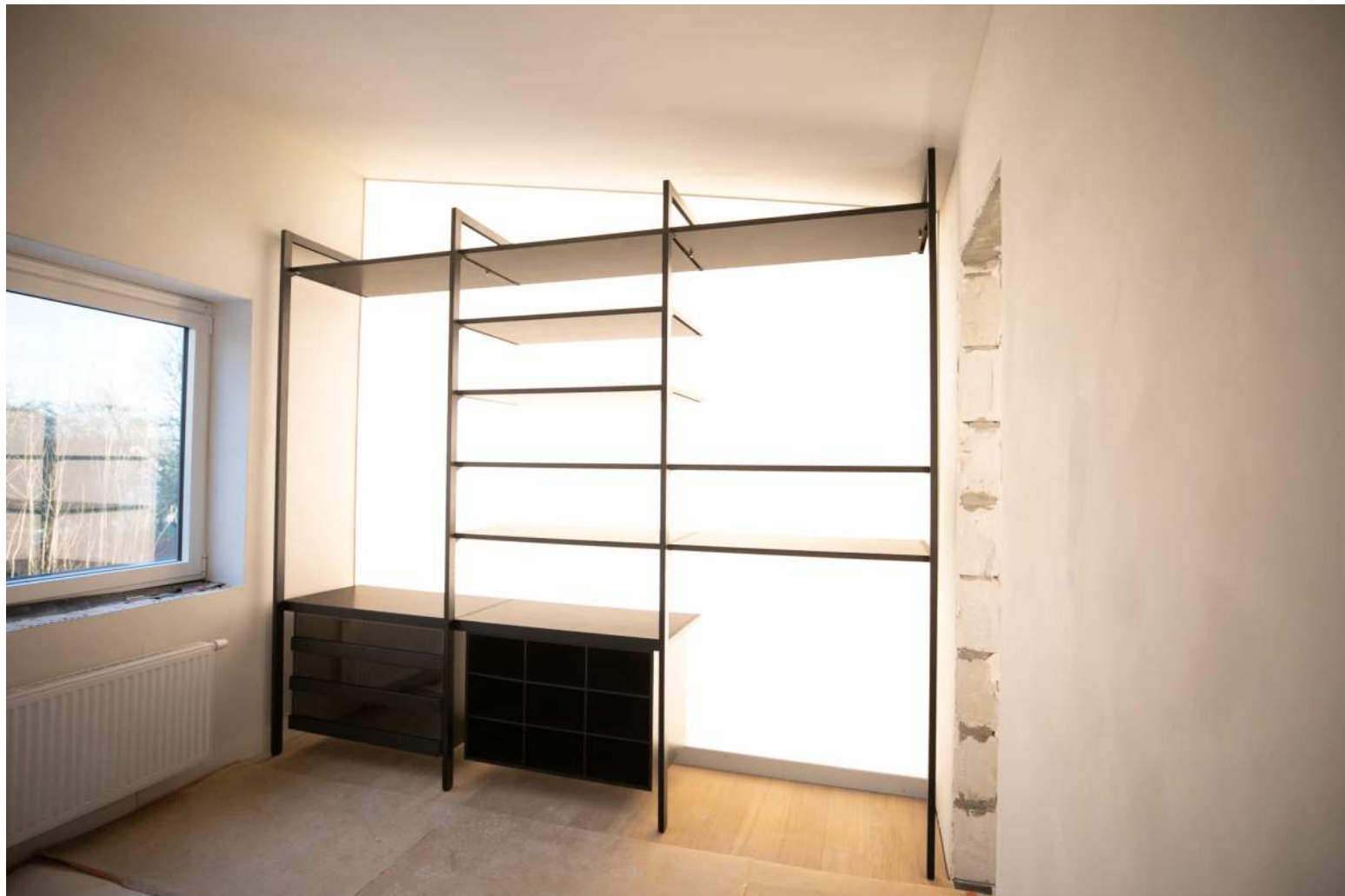
Application

Applied for full-color light boxes and projects



Unit:mm[inch]

Part No.	Input Vol.	IP	Power/m	Led Type	CRI	Led Qty/m	Dimension (LxWxH)	Warranty	Price/pc
SBL-P-45-9-24V-RGB	24VDC	IP20	12W	SMD 3030	>80	9	450 x 30 x 7,6mm	3 years	18,06 €



Xeiling
Pekkerstraat 4 - 8870 Izegem
Info@xeiling.be - +32477/19 00 90

www.xeiling.be